

The Battle of Prestonpans Heritage Trust
Field of Remembrance
Site Layout Plan: Existing

1:200 @ A3

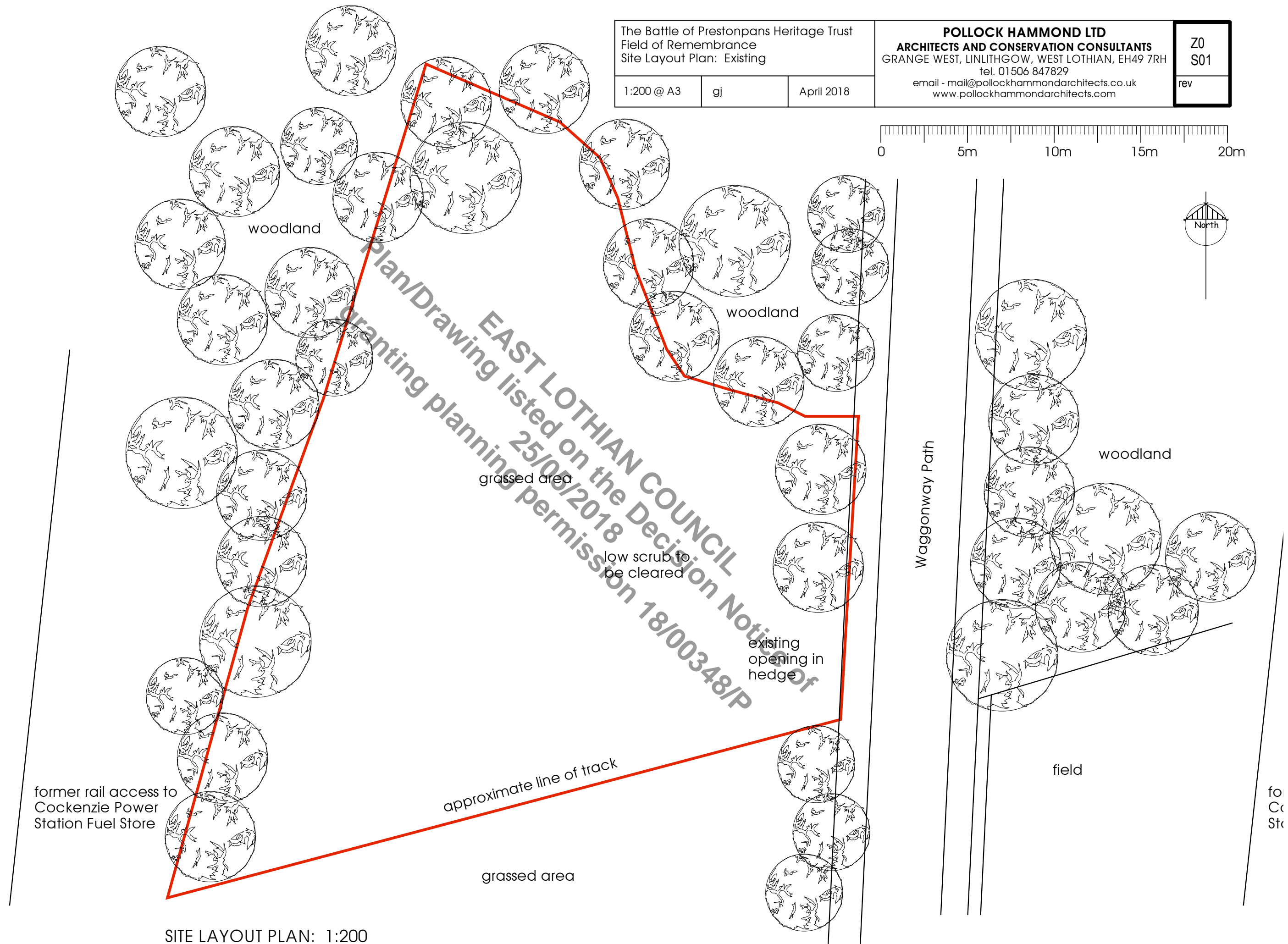
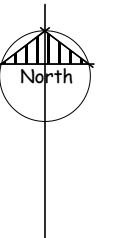
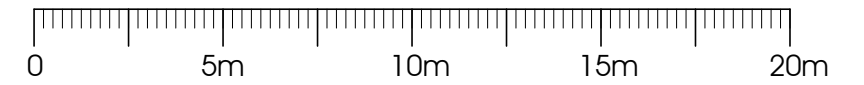
gj

April 2018

POLLOCK HAMMOND LTD
ARCHITECTS AND CONSERVATION CONSULTANTS
GRANGE WEST, LINLITHGOW, WEST LoTHIAN, EH49 7RH
tel. 01506 847829
email - mail@pollockhammondarchitects.co.uk
www.pollockhammondarchitects.com

Z0
S01

rev



former rail access to
Cockerzie Power
Station Fuel Store

woodland

grassed area

low scrub to
be cleared

existing
opening in
hedge

approximate line of track

grassed area

woodland

Wagonway Path

woodland

field

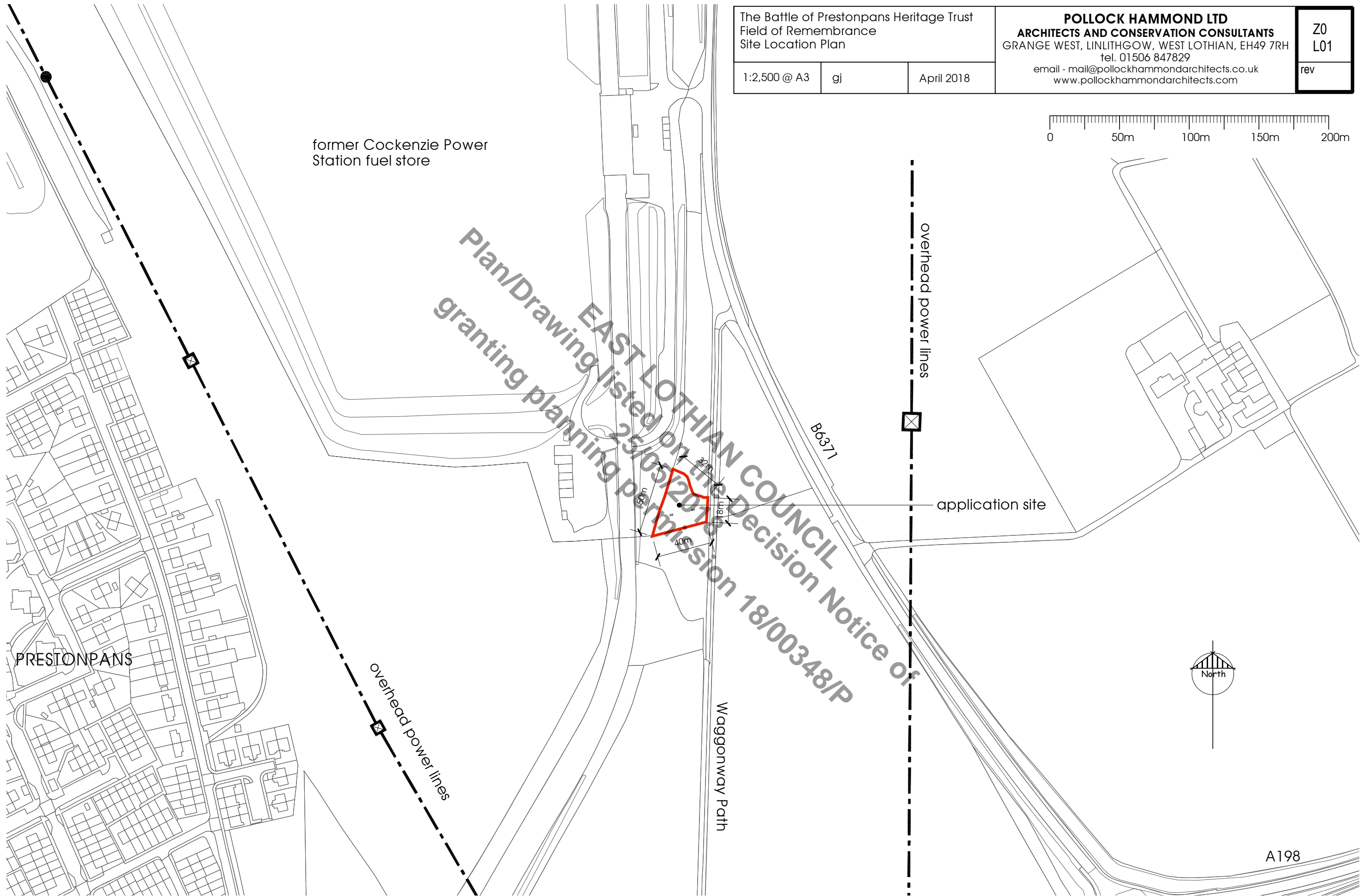
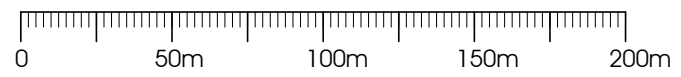
SITE LAYOUT PLAN: 1:200

The Battle of Prestonpans Heritage Trust
 Field of Remembrance
 Site Location Plan

1:2,500 @ A3	gj	April 2018
--------------	----	------------

POLLOCK HAMMOND LTD
ARCHITECTS AND CONSERVATION CONSULTANTS
 GRANGE WEST, LINLITHGOW, WEST LoTHIAN, EH49 7RH
 tel. 01506 847829
 email - mail@pollockhammondarchitects.co.uk
 www.pollockhammondarchitects.com

Z0 L01
rev



SITE LOCATION PLAN: 1:2500

The Battle of Prestonpans Heritage Trust
Field of Remembrance
Site Layout Plan

1:200 @ A3

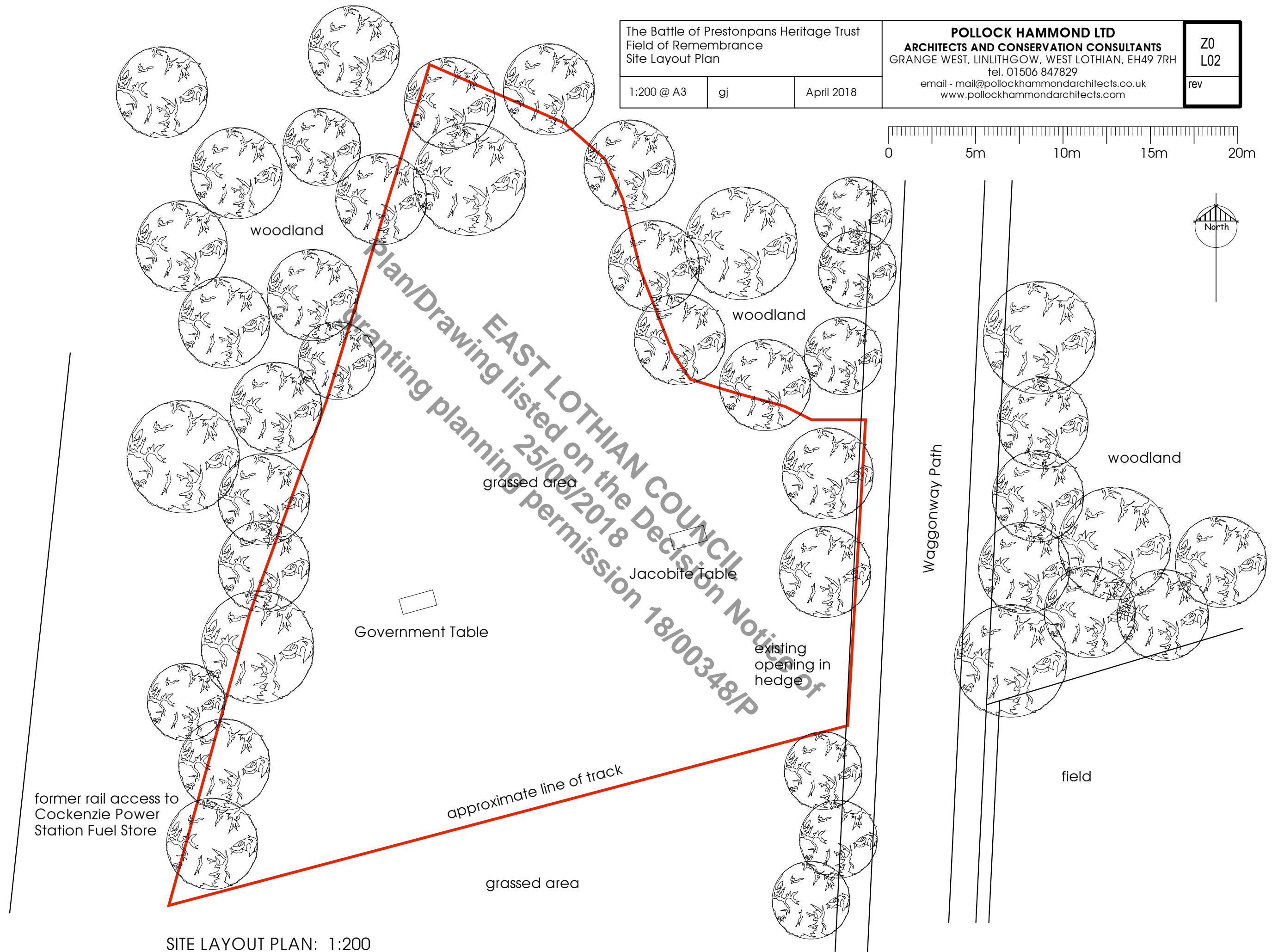
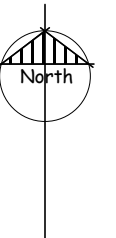
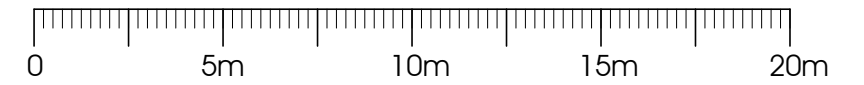
gj

April 2018

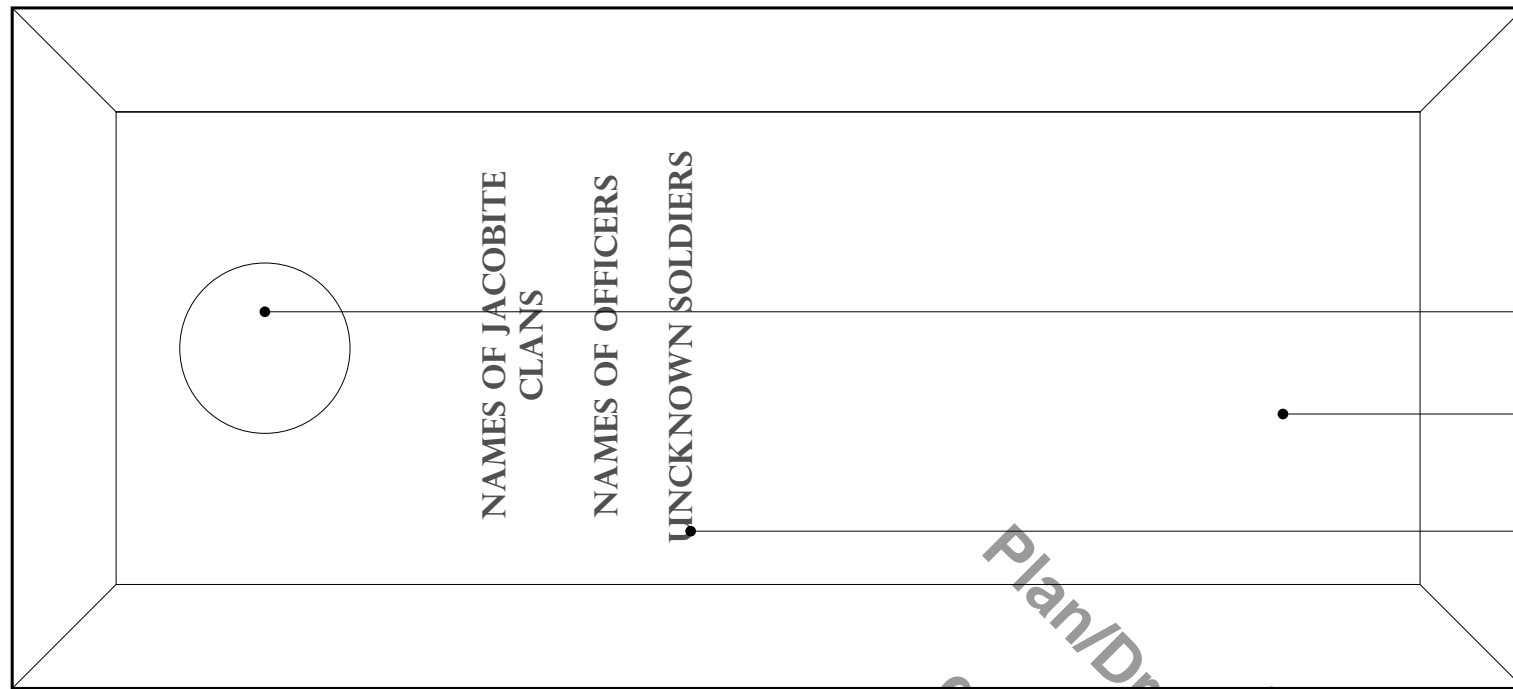
POLLOCK HAMMOND LTD
ARCHITECTS AND CONSERVATION CONSULTANTS
GRANGE WEST, LINLITHGOW, WEST LoTHIAN, EH49 7RH
tel. 01506 847829
email - mail@pollockhammondarchitects.co.uk
www.pollockhammondarchitects.com

Z0
L02

rev



SITE LAYOUT PLAN: 1:200



The Battle of Prestonpans Heritage Trust
 Field of Remembrance: Memorial Tables
 Jacobite Table Tomb

POLLOCK HAMMOND LTD
ARCHITECTS AND CONSERVATION CONSULTANTS
 GRANGE WEST, LINLITHGOW, WEST LOTHIAN, EH49 7RH
 tel. 01506 847829
 email - mail@pollockhammondarchitects.co.uk
 www.pollockhammondarchitects.com

Z0
 W02
 rev

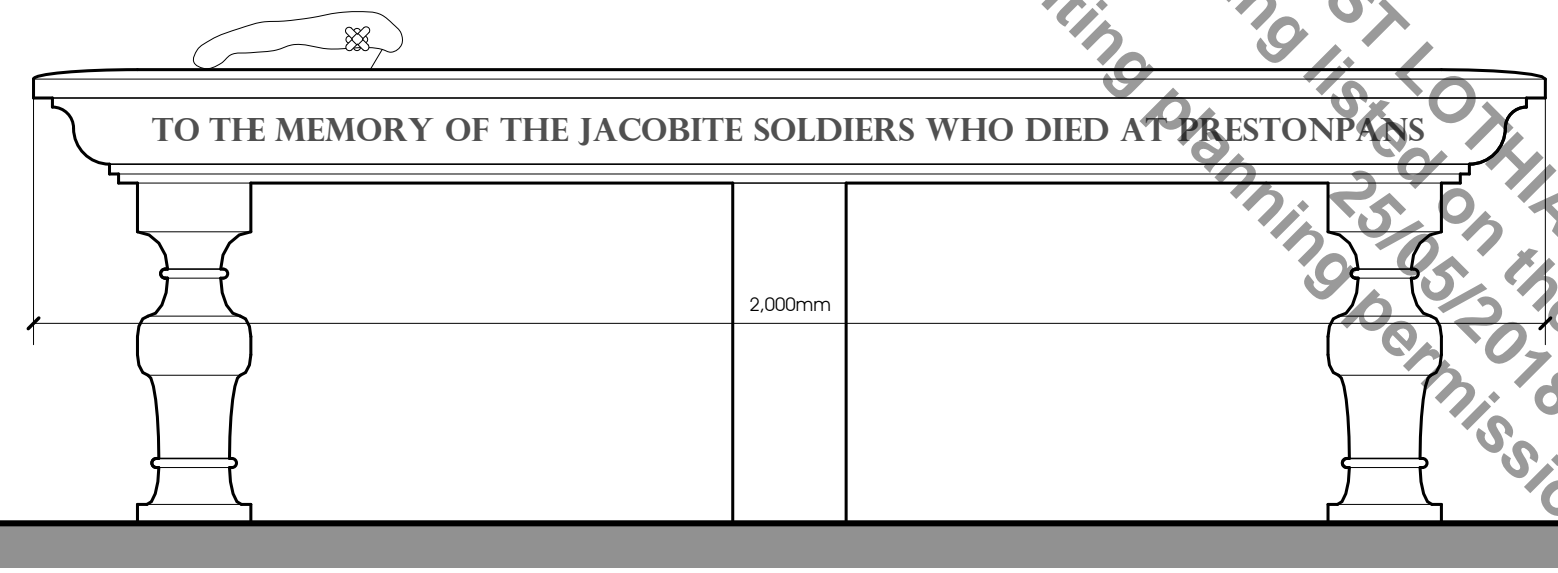
1:10 @ A3 gj April 2018



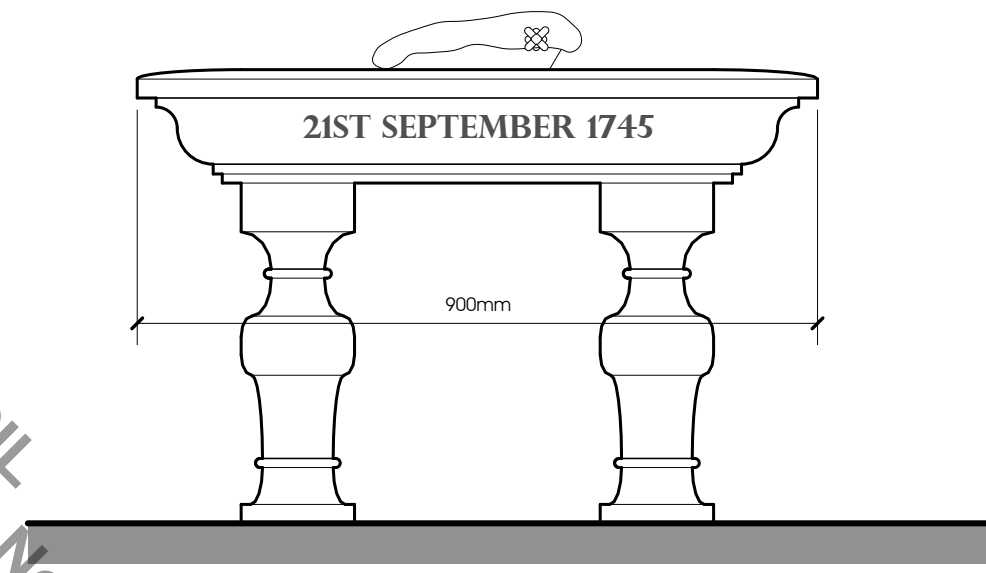
- Carved stone bonnet
- Sandstone memorial table
- memorial script to be confirmed following historical research

PLAN OF MEMORIAL TABLE TO JACOBITE DEAD

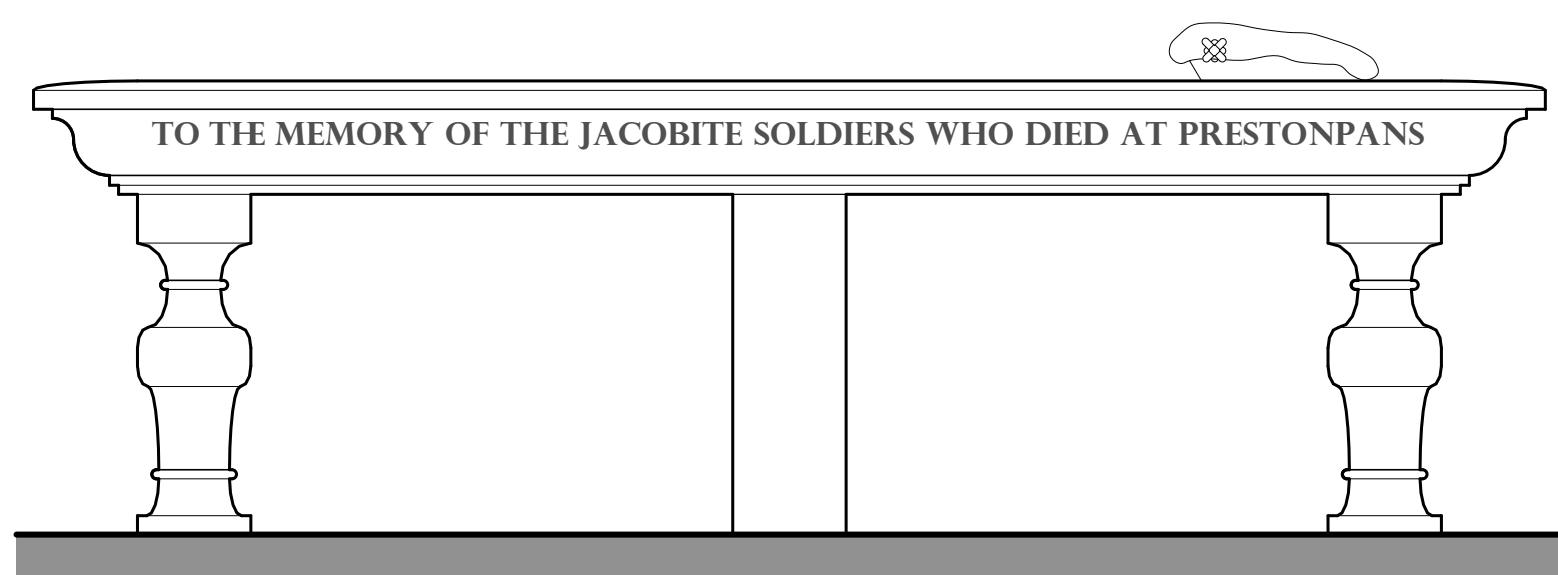
Plan/Drawing EAST LOTHIAN COUNCIL granting planning permission 18/00348/P on the 25/05/2018



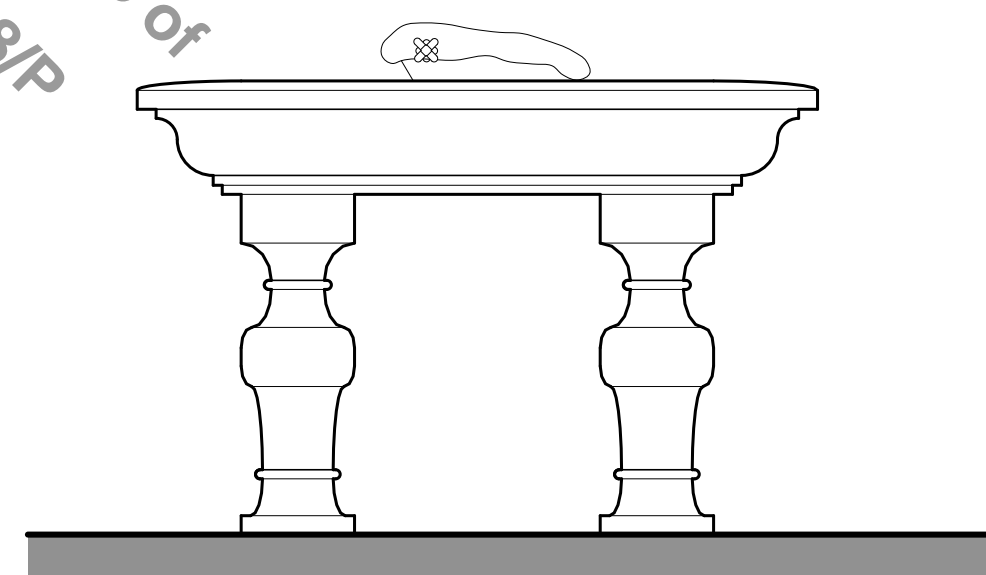
SIDE ELEVATION 1 OF MEMORIAL TABLE TO JACOBITE DEAD



END ELEVATION 1 OF MEMORIAL TABLE TO JACOBITE DEAD



SIDE ELEVATION 2 OF MEMORIAL TABLE TO JACOBITE DEAD



END ELEVATION 2 OF MEMORIAL TABLE TO JACOBITE DEAD